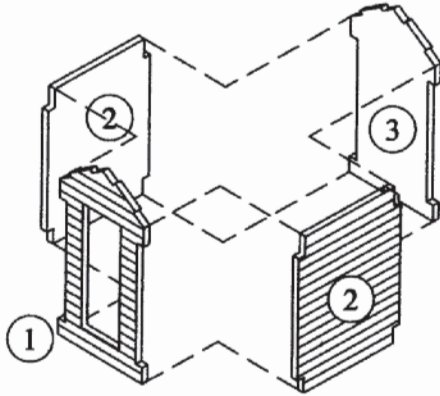
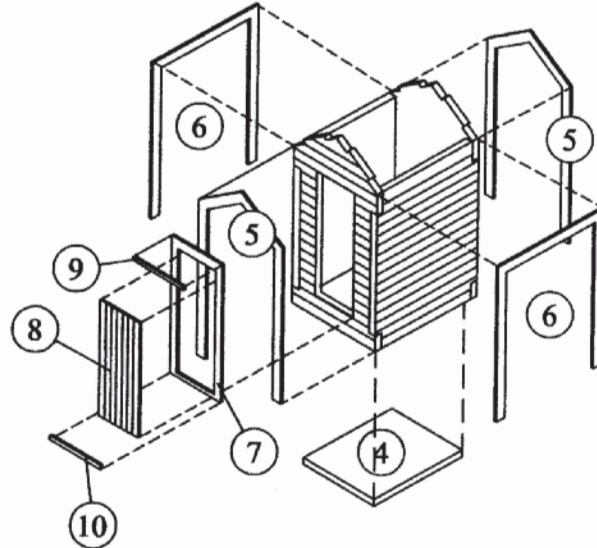
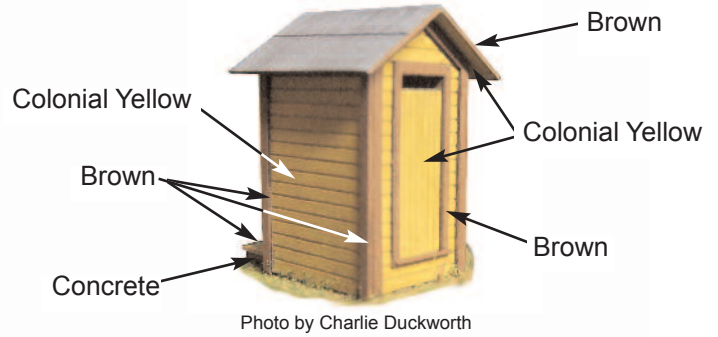


Missouri Pacific Standard Privy HO Scale Kit 1009

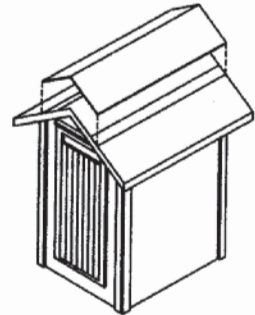
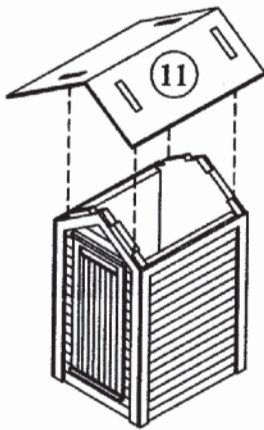
One of the more common building along the right of way was the small privy. Located at any location where indoor facilities were not available including Section houses, tool houses, yard offices and depot.



- 1. Glue the four walls together as shown above.
- 2. Add floor.
- 3. Remove backing paper as necessary and add trim 5. Then apply trim 6
- 4. The inside edge of the door trim 7 should be flush with the edge of the door opening on the front wall.



- 5. Door 8 should be flush with the outside edge of the door trim and sets on the bottom of the opening. Add drip cap 9 and sill 10.
- 6. The roof 11 has a scribe on the center line. Fold and fit on the tabs as shown at left.
- 7. Add the roofing starting at the bottom edge, trim excess. Fold the other narrow piece of roofing along the score line and apply.



- 8. The "vault" consists of vault 12 and lid 13. The lid should be flush on the tabbed side and have equal overhang on the sides.
- 9. Glue the vault to the rear wall. Your model is now ready to install on your layout. Just remember to locate it down wind from other buildings.

