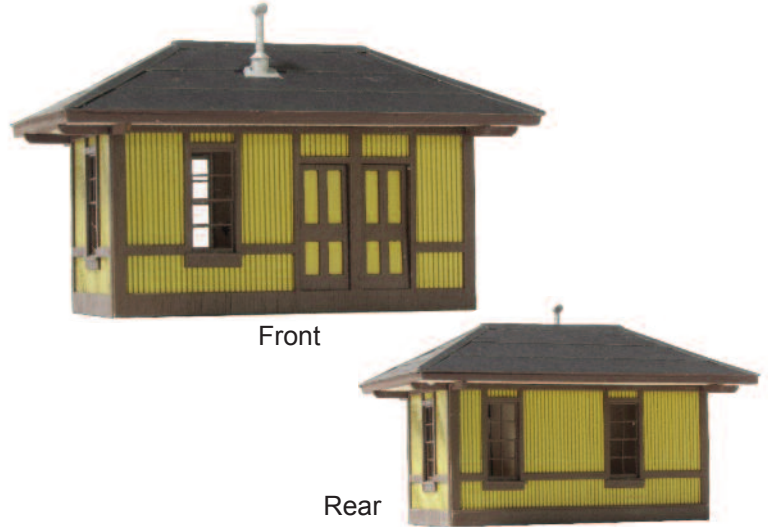


Roadmaster's Office Downs, Kansas

HO Scale Kit 1006



A Short History by Doug Brush

It appears the Roadmaster's Office building, was originally built as a small unattended passenger waiting room with storage located at Lincoln Park station (midway between Downs and Cawker City, KS. This park was where the large chautauqua were held in this area from 1900-1910. By the time they moved the structure to the Downs yards in November of 1916, the great gatherings at Lincoln Park were no more. The small frame station became the office for R. B. Phayer, longtime roadmaster. The small frame structure may have become a storage building or moved off of the property by November of 1935

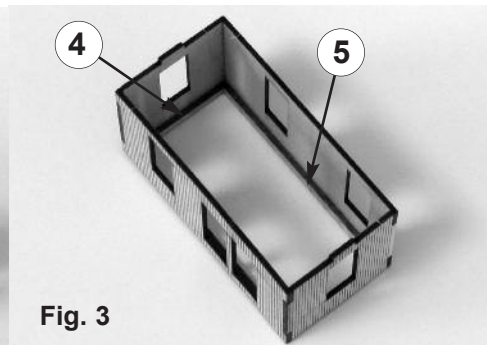
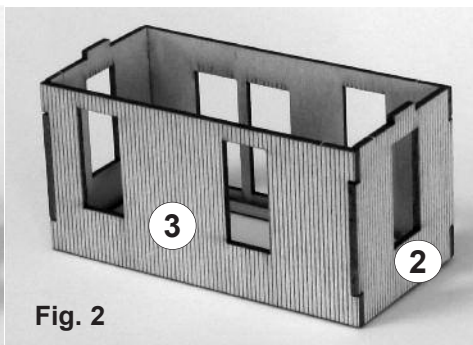
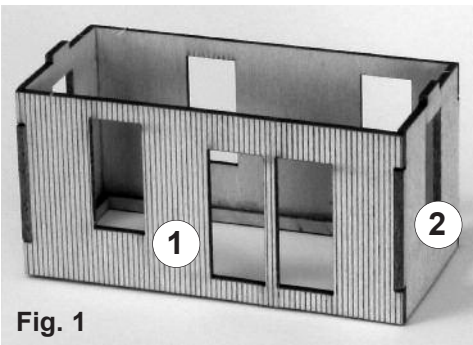
Suggested tools - Wood or CA glue, modeling knife with several new No. 11 blades, a small square, a sanding block and paint of your choice.

Prepainting all parts is recommended. A coat of sanding sealer or primer paint will reduce the grain visible in the wood. Lightly sand the surface after sealer dries. Apply a second coat if necessary. Prepainting parts make it much easier to use a second color on trim. Some touch up will be necessary when the construction of the model is finished

Notes - For clarity of photos used in this set of instructions, the model has not been painted.

Refer to the parts layout sheet for all part numbers used with this kit

Always be careful when working with CA glues and Sharp modeling knife blades.



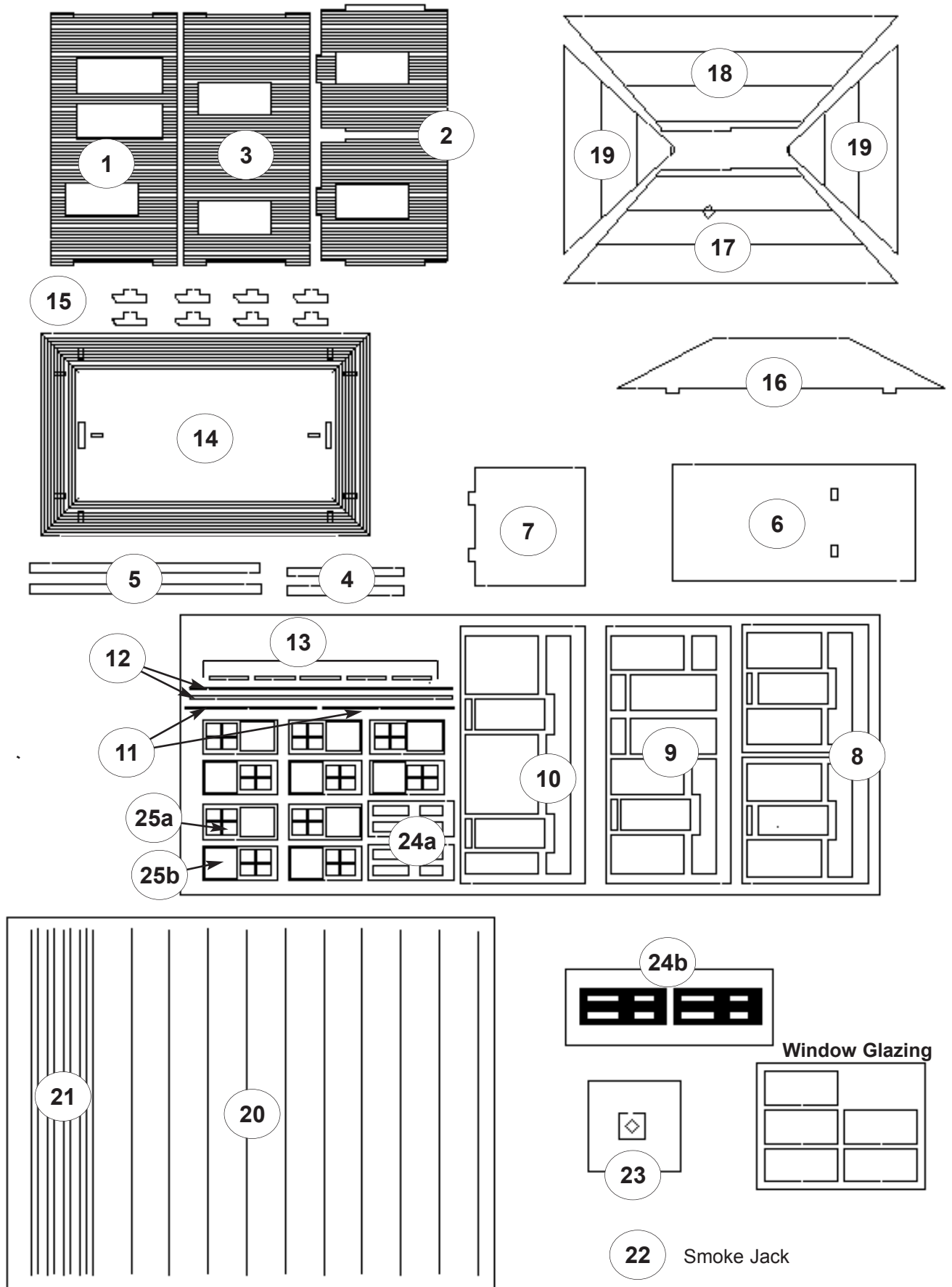
Begin construction by fanaticizing yourself with the various part. As a rule I've found it best not to remove parts from their carrier sheets until needed.

1. Glue the front and rear walls 1, 3 and the two end walls 2 together forming a box. Use a square or lay the floor x inside to help square the corners. *Fig 1 and 2*
2. Glue the strips of wood 4 and 5 to the inside, bottom of the walls. Glue the two 4 first and then the two 5. *Fig 3*

Lake Junction Models, LLC

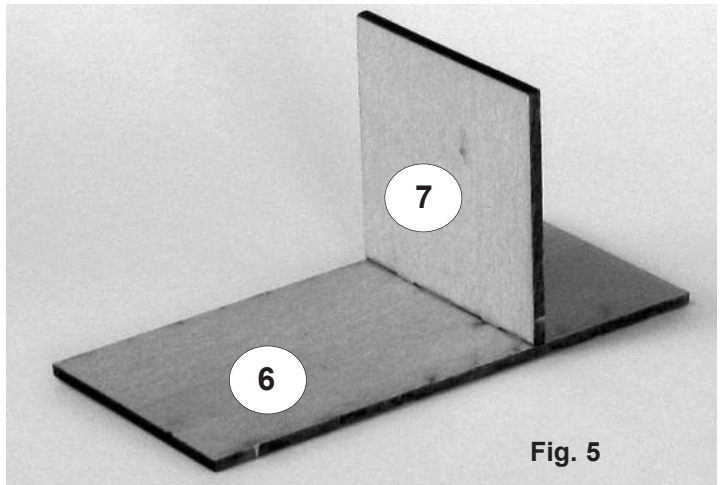
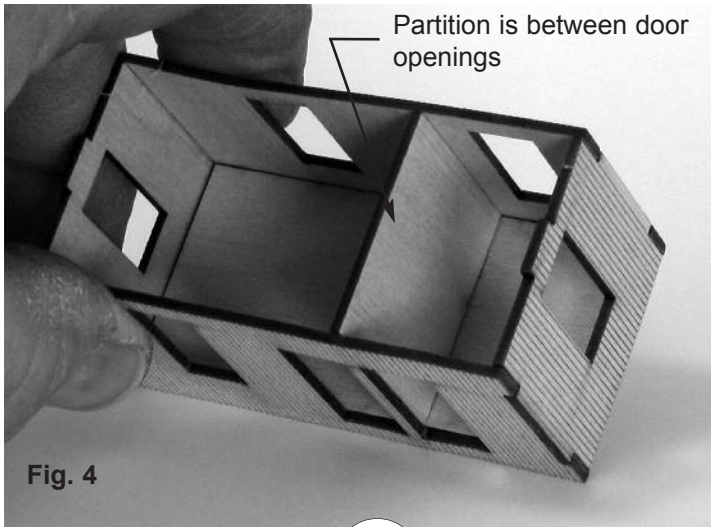
PO Box 440368 Brentwood, MO 63144 lakejctmodels@att.net lakejunctionmodels.com

Parts Layout



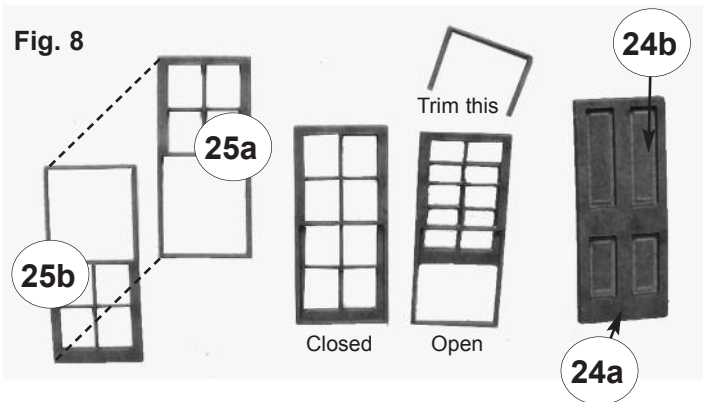
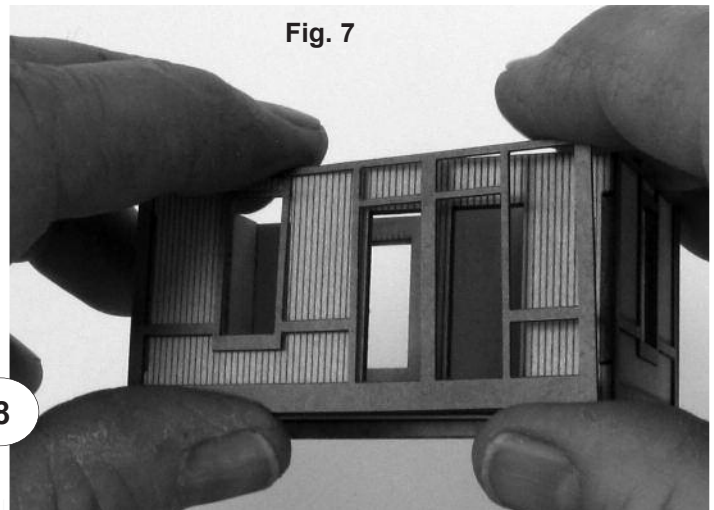
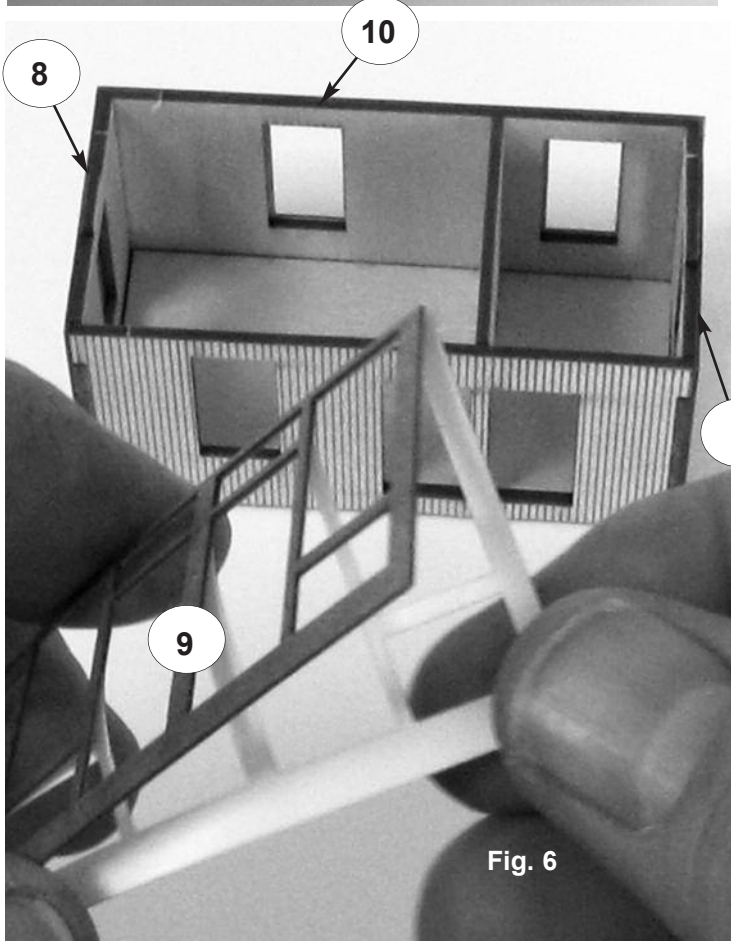
3. Next glue the divider wall 7 to the floor 6. Use a Square to keep it perpendicular to the floor 6. Fig 4

4. Glue the floor in place. Your model should now look like Fig 5



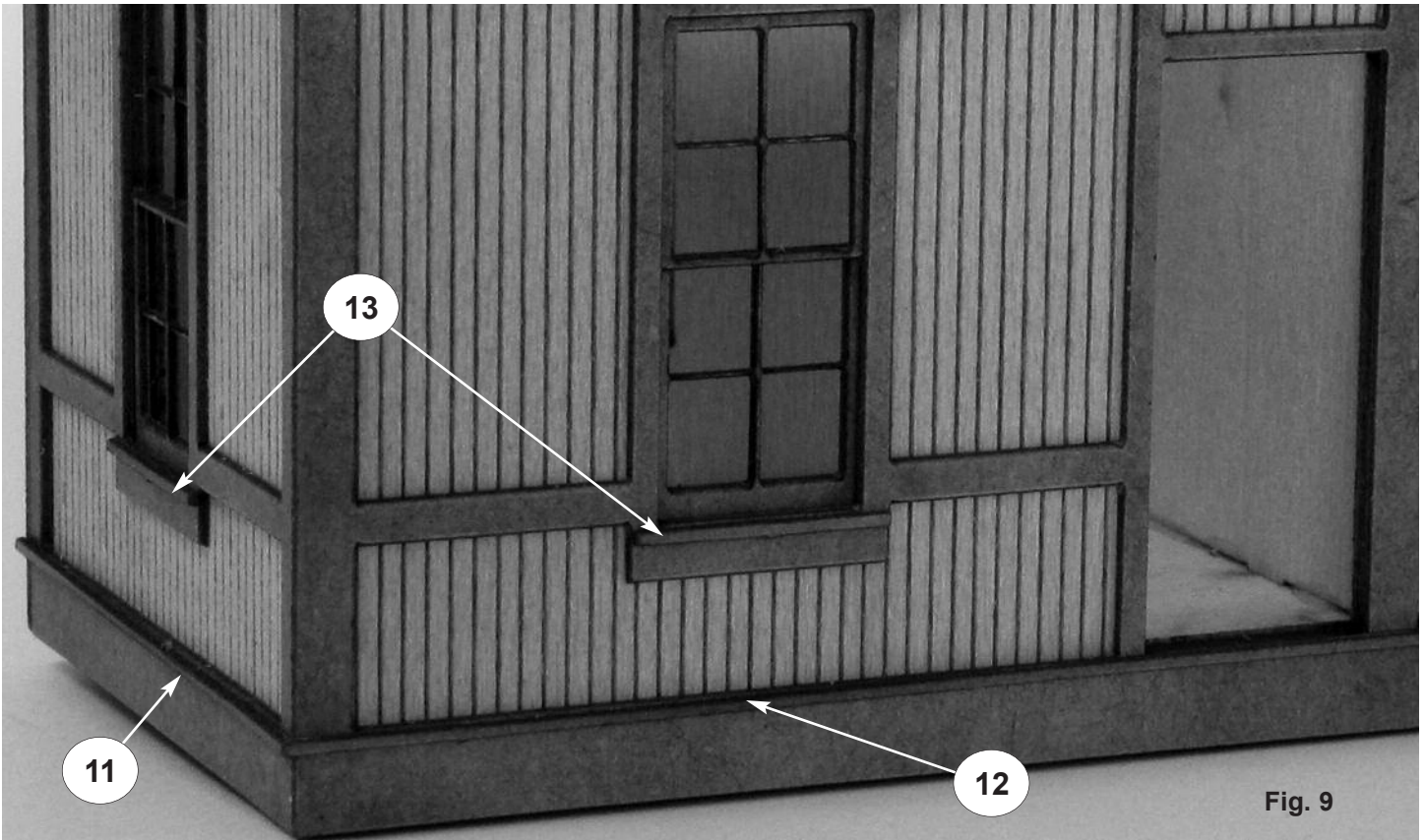
5. Remove Backing Paper from end trim 8 and apply to the model. It should be flush top, bottom and sides.

6. Remove backing from front trim 9 and apply. It should also be flush with the top, bottom and outside edge of the end trim 8. Repeat for rear trim 10. Fig 6 and 7



7. Assemble the doors and windows by removing the backing paper and pressing together as shown in Fig. 8 To represent open window, position the upper sash in the position desired and trim off the excess as shown. Install the glazing.

8. Insert the windows and doors from the inside of the building. The windows will be flush with the trim at the front of the opening and the doors will be flush with the inside of the wall.



9. Now install the part 11 for the ends. They should be flush with the top of the base board and have no over hang at the edge. Repeat for the front and rear watertable 12. They also should be even with the top of the base board and even with the ends of parts 10.

10. Add the window sills 13 to the bottom of all the window openings. *Fig 9*

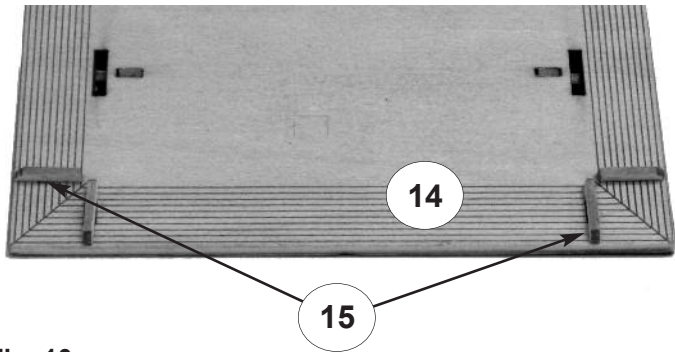


Fig. 10

11. Glue the eight support brackets 15 to the underside of the soffit 14 as shown in *Fig. 10*

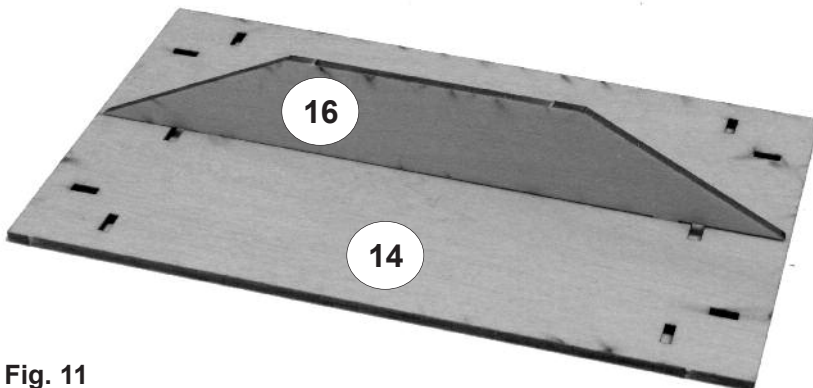
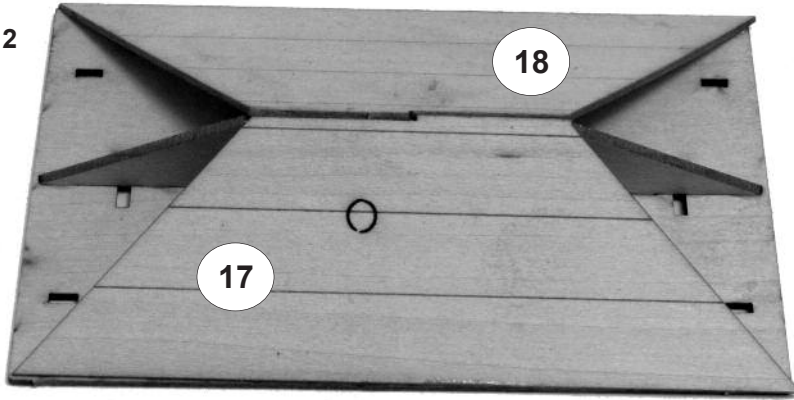


Fig. 11

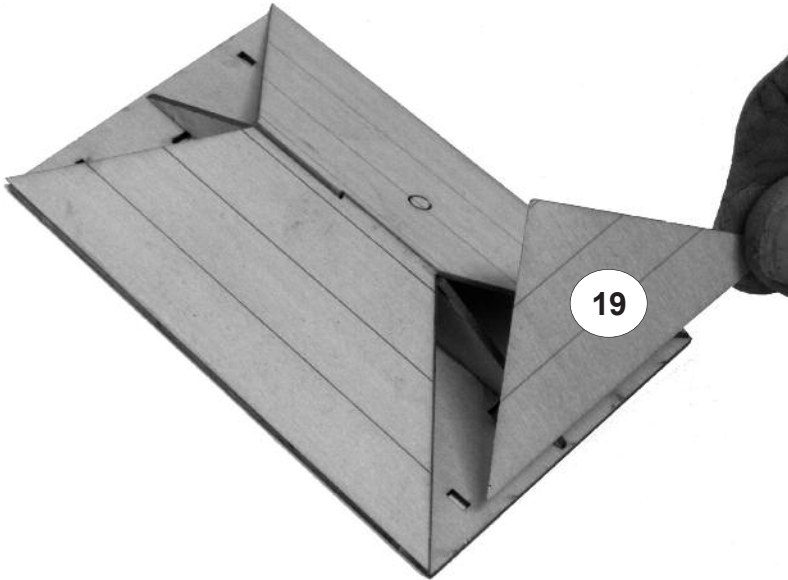
12. Add the roof support 16. Be sure to keep it at 90 degrees to the soffit. *Fig. 11.*

Fig. 12



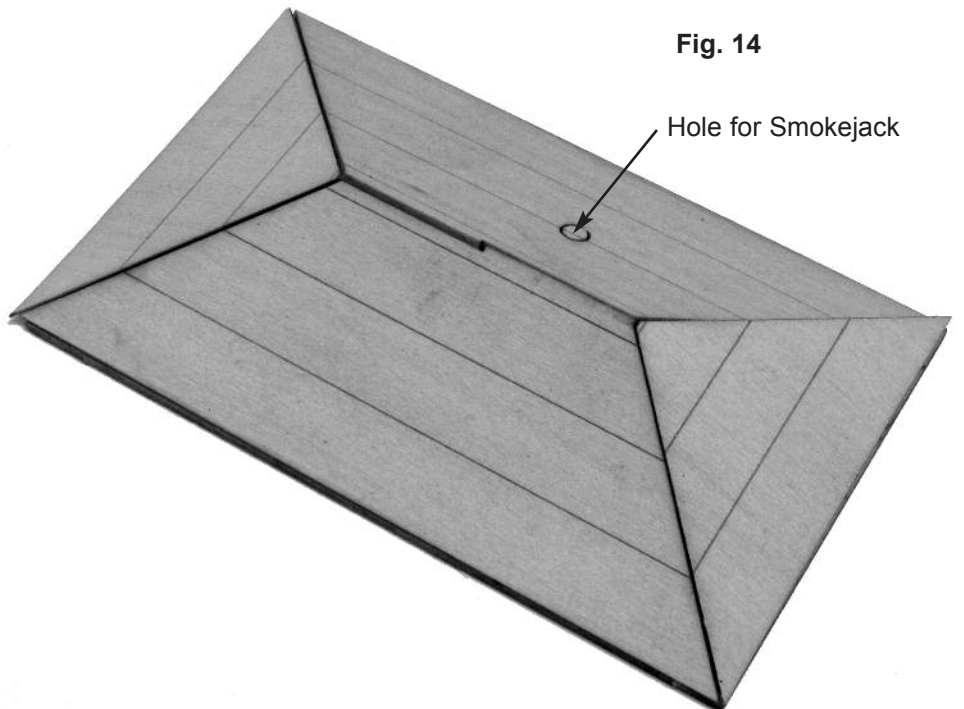
13. Apply glue to the tops and bottom edges of roof sections 17 and 18. They should lay on support 16 and be "almost flush with the outside edges of the soffit 14. Fig. 12

Fig. 13



14. Both roof ends are the same (19). You may find it easier to fit them in place by first sanding a slightly beveled edge on the two sides. Adjust as necessary and glue in place.

Fig. 14



15. Fig 14 shows what the completed roof should look like. Using a sanding block, sand the four sides of the soffit and roof sections plumb. Refer to the photo on the last page for how the finished edge should look

16. Open up th hole for the smoke jack. This side of the roof will be the front. (see photo on page one.)

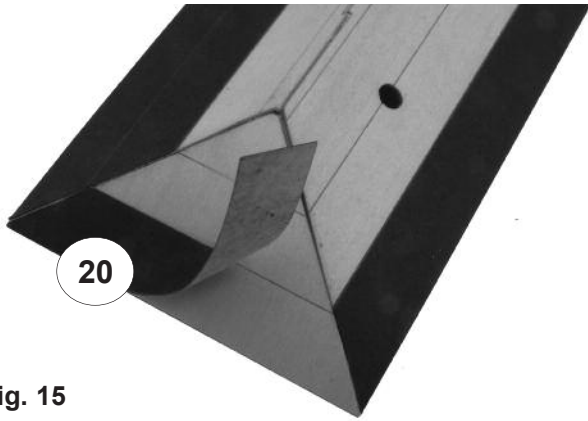


Fig. 15

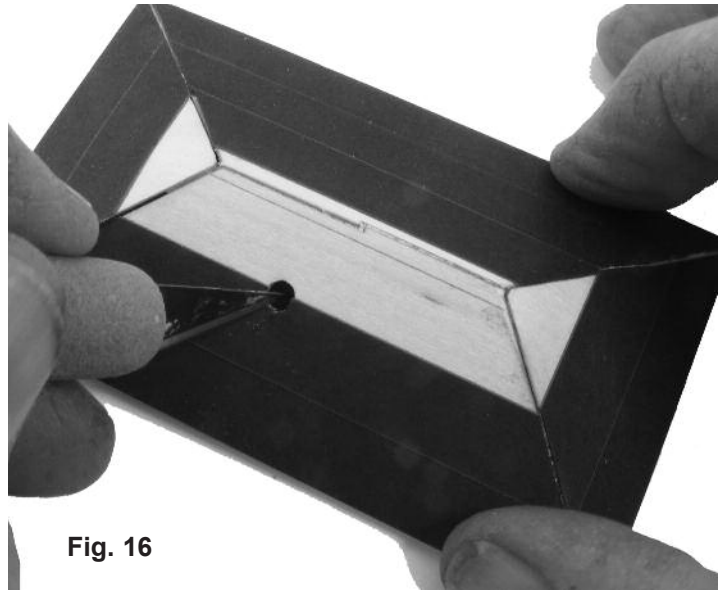


Fig. 16

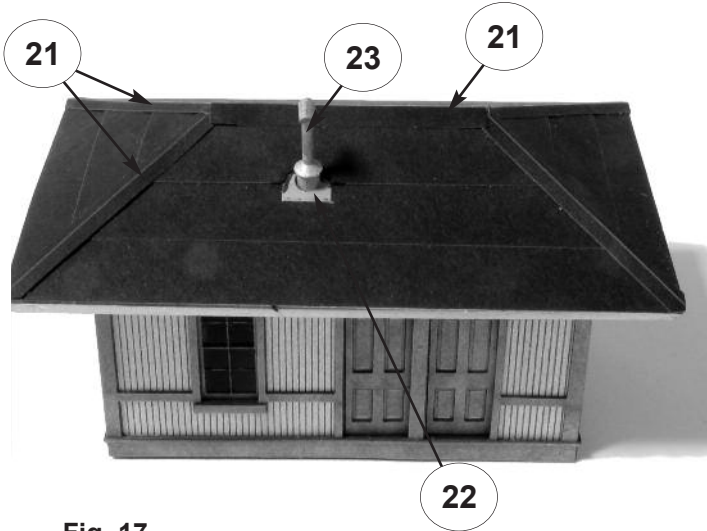


Fig. 17

17. Apply the rolled roofing by removing the backing paper and using the scribed lines on the roof as guides. Trim excess. Note that flashing **22** is applied over the second strip of roofing on the front and the third strip overlaps it but is notched to expose the opening for the smokejack.

18. Remove backing and gently fold trim **21**. Center on the hip edges and press in place. Trim excess. Add cap also from **21** to the roof ridge.

20. Glue the smokejack **23** in place taking care to insure that it is plumb. **Your done**. Touch up any paint and install on your layout in an appropriate location.

Painting Missouri Pacific Standard Structure Colors



A Colonial Yellow

B Brown

A
Underside of Soffit